



SG290P

RESIDENTIAL LINE



Peimar polycrystalline solar panels made in Italy provide customers with a perfect combination of high-efficiency and versatility. Thanks to the use of high-quality solar cells, our panels achieve outstanding performance and ensure maximum production output even under poor lighting and weather conditions. The strong yet ultra-light frames, available in silver or black make installation easy but robust in either residential, commercial or large-scale settings.



30 YEAR LINEAR POWER WARRANTY

20 YEAR PRODUCT WARRANTY



PID FREE



MODULE FIRE PERFORMANCE: **CLASS 1**

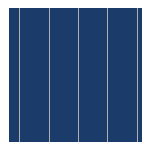


ANTI-REFLECTIVE GLASS



QBE INSURANCE
Product Liability Insurance QBE

CELLS



60 CELLS
POLY 5BB

156.75x156.75 mm / 6.17x6.17"

FRAME



COMPACT AND STURDY | **40mm**

ANCHORABLE ALSO ON THE SHORT SIDE ⁽⁵⁾

ELECTRICAL CHARACTERISTICS (STC) ⁽¹⁾

Nominal Output (Pmax) ⁽²⁾	
Sorting Tolerance	
Voltage at Pmax (Vmp)	
Current at Pmax (Imp)	
Open Circuit Voltage (Voc) ⁽²⁾	
Short Circuit Current (Isc) ⁽²⁾	
Maximum System Voltage	
Maximum Series Fuse Rating	
Module Efficiency	
Protection class against electric shock	

SG290P

Nominal Output (Pmax) ⁽²⁾	290 W
Sorting Tolerance	0/+5 W
Voltage at Pmax (Vmp)	32.2 V
Current at Pmax (Imp)	9.01 A
Open Circuit Voltage (Voc) ⁽²⁾	39.28 V
Short Circuit Current (Isc) ⁽²⁾	9.64 A
Maximum System Voltage	1500 V
Maximum Series Fuse Rating	15 A
Module Efficiency	17.83%
Protection class against electric shock	Class II

MECHANICAL CHARACTERISTICS

Solar Cells	60 (6x10) polycrystalline
Solar Cells Size	156.75x156.75 mm / 6.17x6.17"
Front Cover	3.2 mm / 0.13" thick, low iron tempered glass
Back Cover	TPT (Tedlar-PET-Tedlar)
Encapsulant	EVA (Ethylene vinyl acetate)
Frame	Anodized aluminium alloy, double wall
Frame finishing	Silver / Black
Backsheet finishing	White
Diodes	3 Bypass diodes serviceable
Junction Box	IP67 rated
Connector	MC4 or compatible connector
Cables Length	900 mm / 35.43"
Cables Section	4.0 mm ² / 0.006 in ²
Dimensions	1640x992x40 mm / 64.57x39.06x1.57"
Weight	18 Kg / 39.68 lbs
Max Load (Test Load) - SF	5400 Pa - 1.5 ⁽⁵⁾

TEMPERATURE CHARACTERISTICS

NMOT ⁽³⁾	45±2 °C
Temperature Coefficient of Pmax	-0.39 %/°C
Temperature Coefficient of Voc	-0.28 %/°C
Temperature Coefficient of Isc	0.042 %/°C
Operating Temperature	-40 °C ~ +85°C

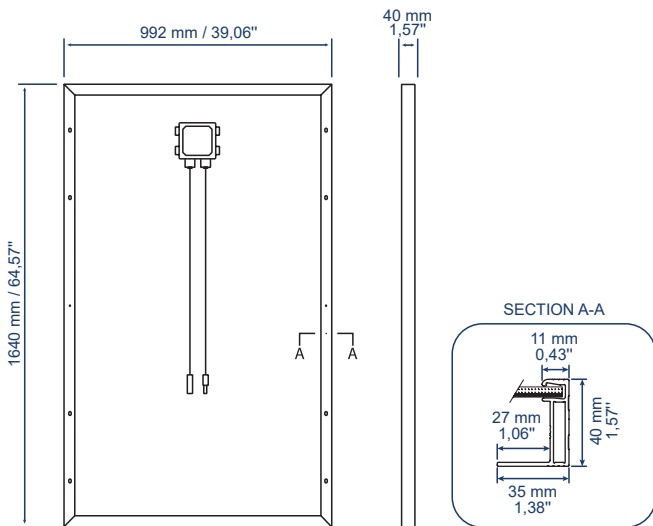
PACKAGING ⁽³⁾

Pallet dimensions	1700x1200x1200 mm / 66.93x47.24x47.24"
Pieces per pallet	27
Weight	516 Kg / 1138 lbs

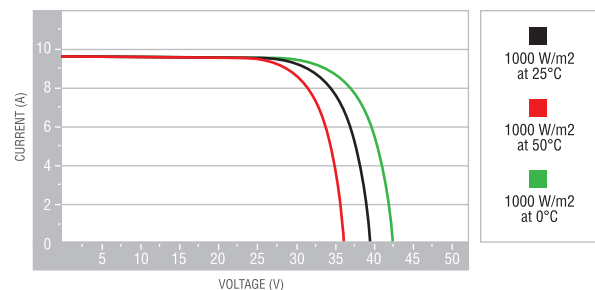
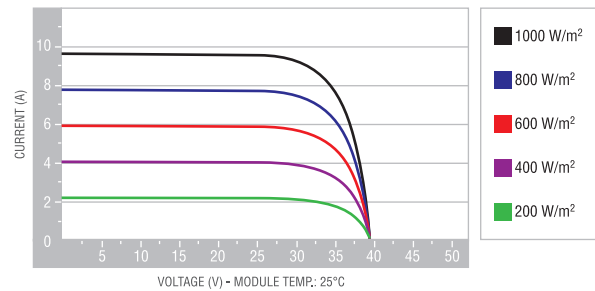
CERTIFICATIONS

Fire Resistance Rating	Class of reaction to fire 1 (UNI 9177)
PID free	IEC TS 62804-1:2015
Salt mist	IEC 61701:2011
Ammonia	IEC 62716:2013

DIMENSIONS



CURRENT/VOLTAGE CHARACTERISTICS



1. STC: (Standard Test Condition) Irradiance 1000W/m²; Module Temperature 25°C; Air Mass 1.5

2. Pmax, Voc, Isc measurement tolerance: ±3%

3. NMOT: Nominal Module Operating Temperature; Irradiance 800W/m²; Air 20°C; Wind speed 1m/s

4. Pallets can be stacked up to two

5. Consult the installation manual for the relative mounting configurations